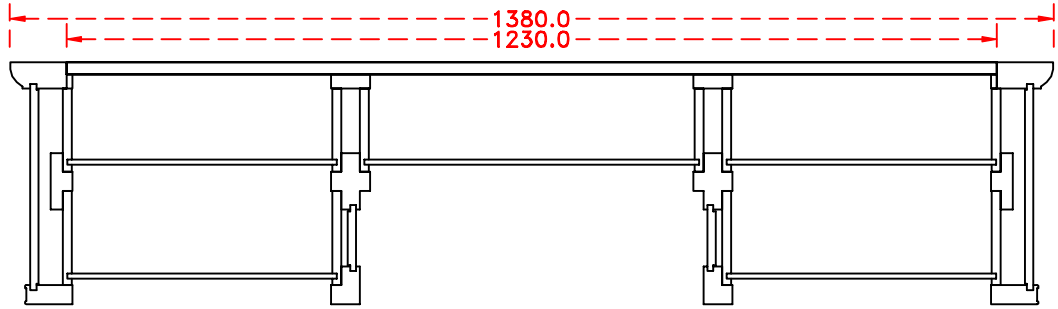
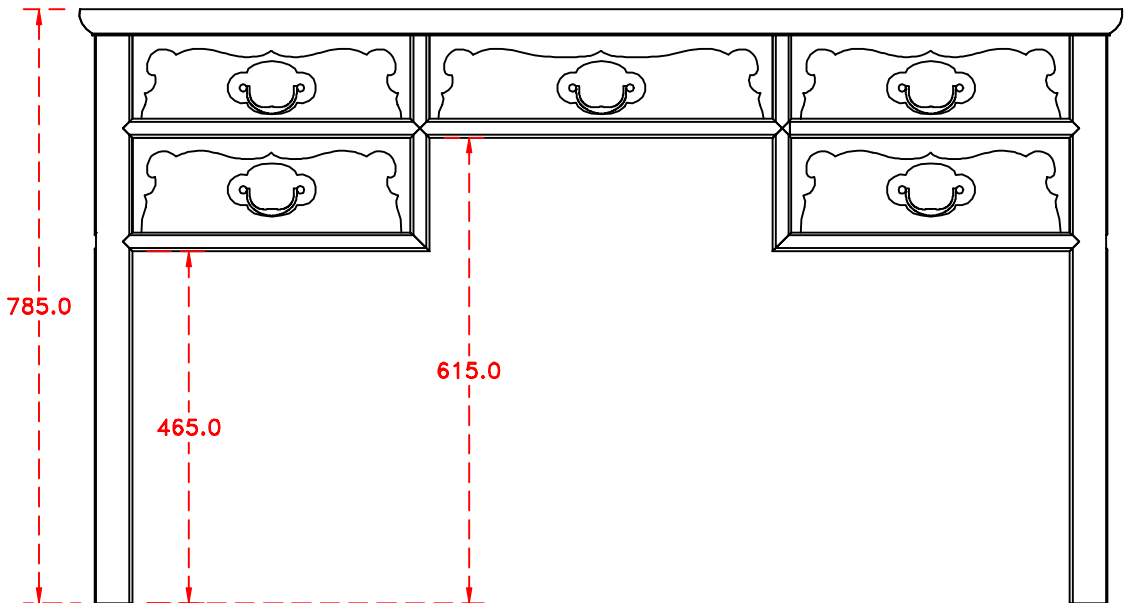


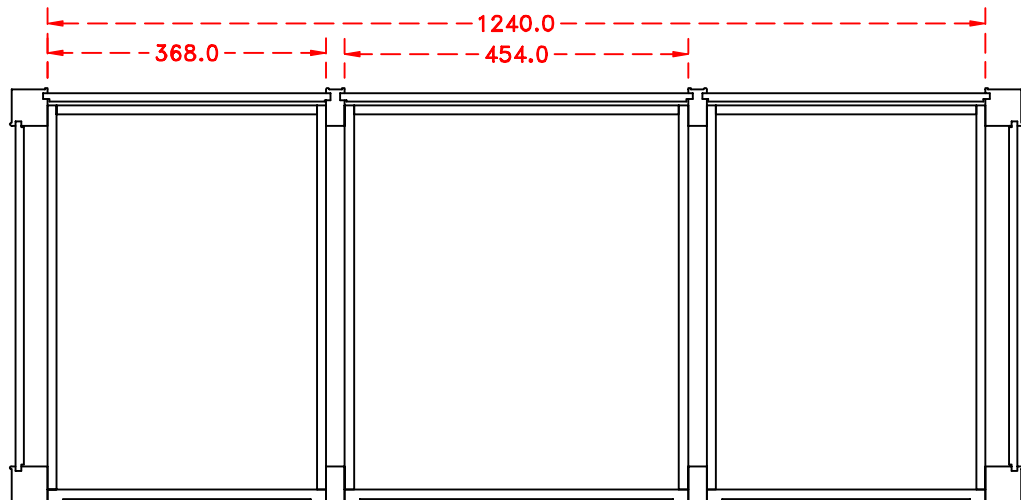
End section.



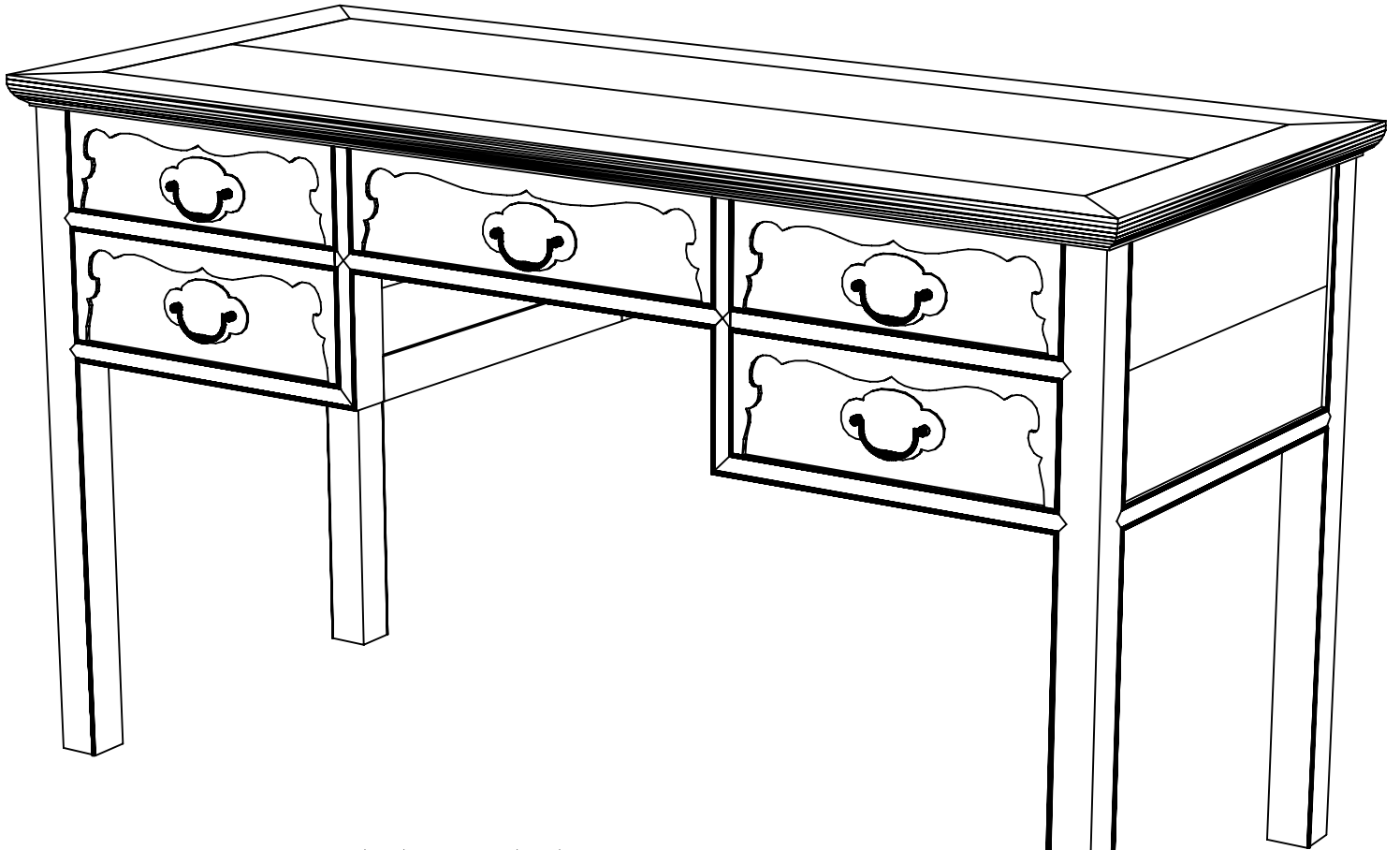
Front section.



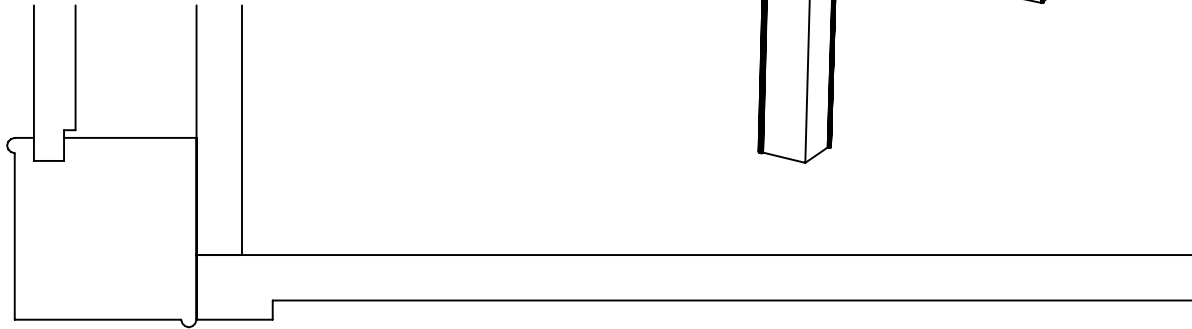
Front elevation.



Plan section.



Detail:
Leg Section.



Detail:
Front Elevation.

