

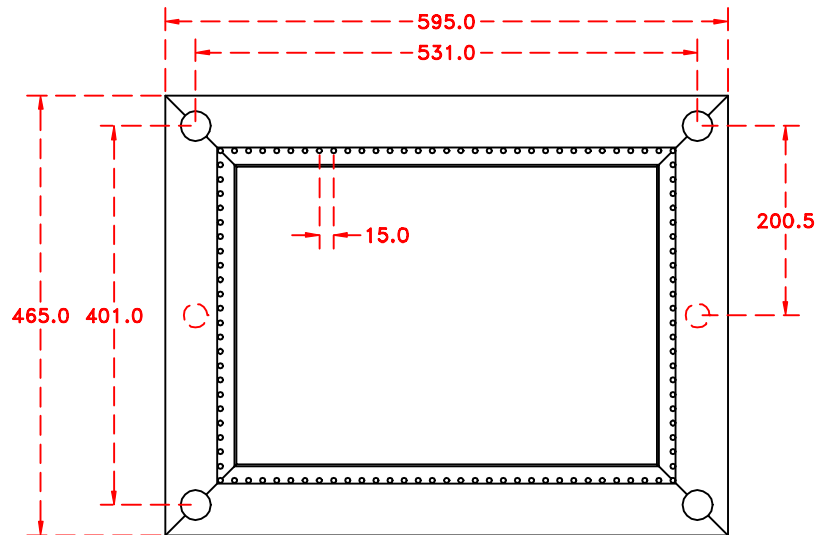
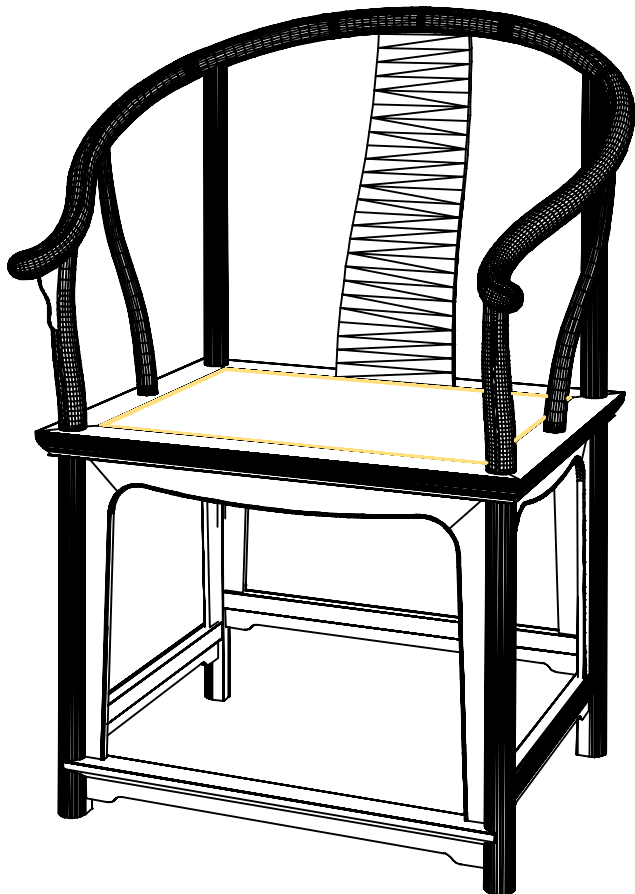
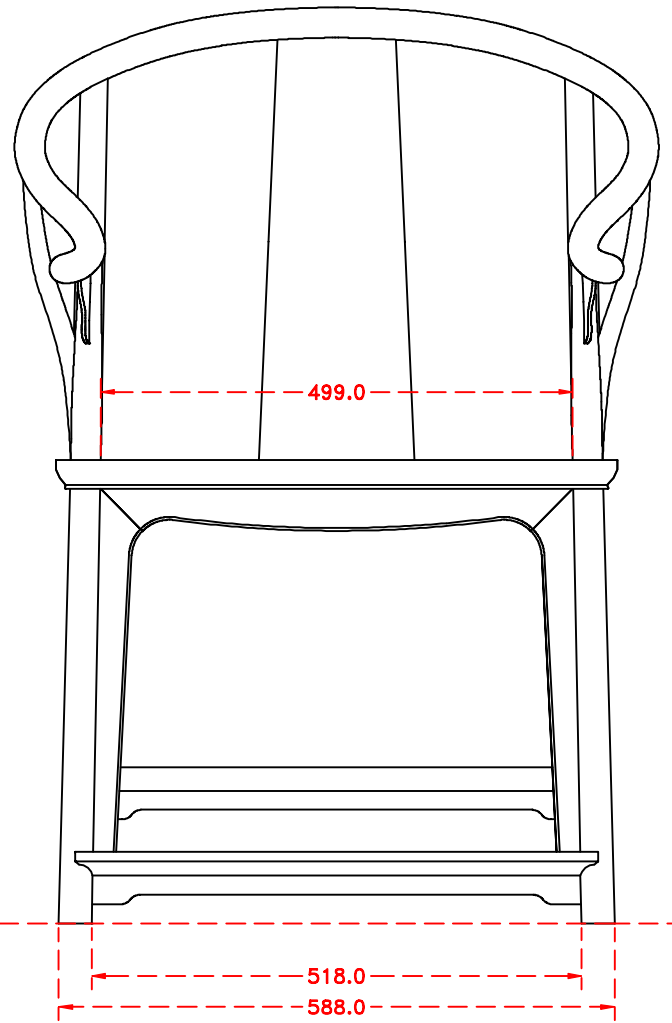
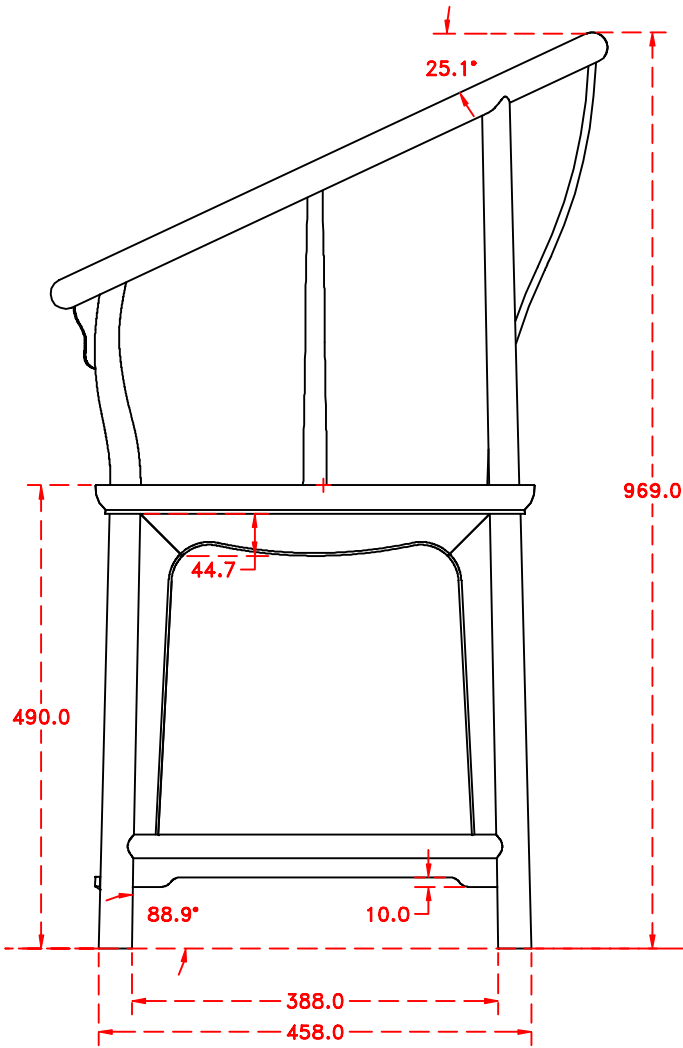


Round back chair in Andaman Padauk

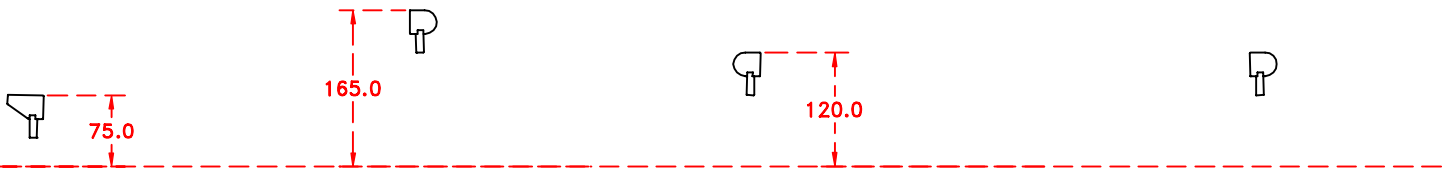
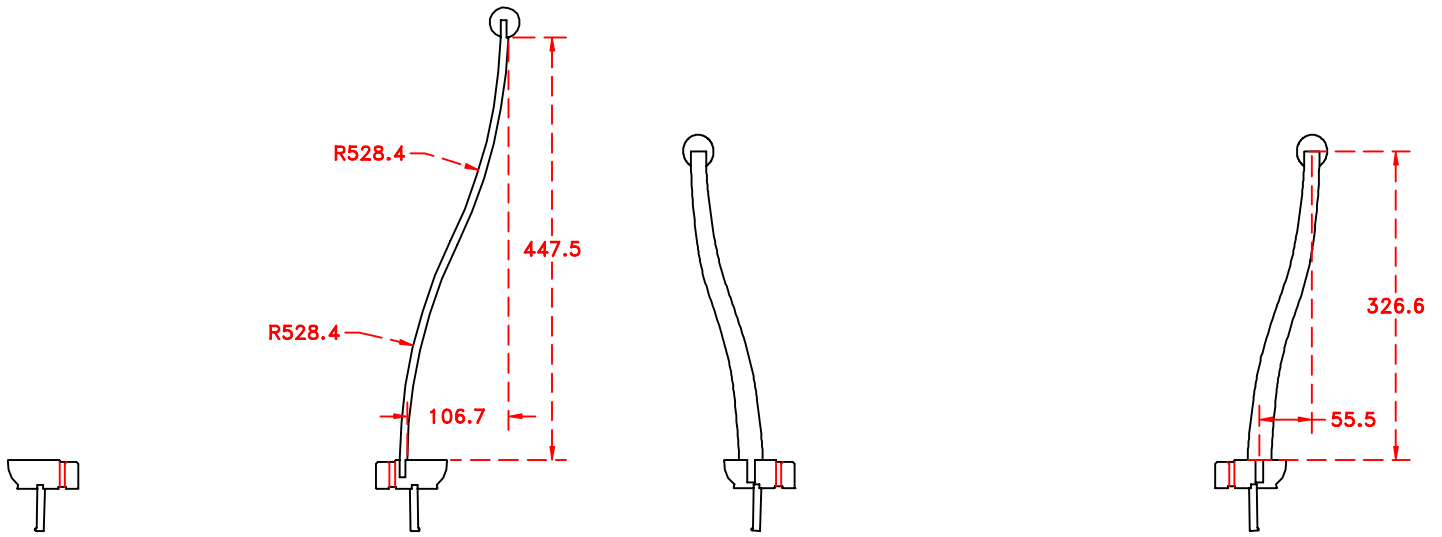
A reference design by Ralph Hampton.

This chair has been designed for a cane seat. The height of the seat is 490mm above floor level which is about 2 inches higher than a standard European dining chair. It can be made to a reduced height if required.

This reference design has been aggregated from book illustrations, measurements of museum pieces, and the experience of making several examples. The picture is a rendered drawing.



Seat plan

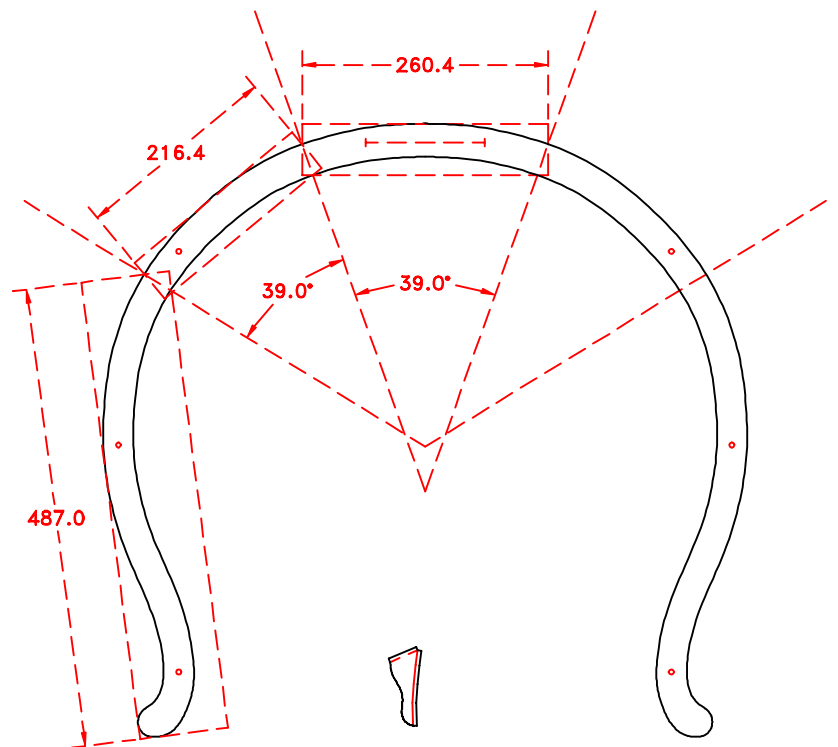


Side Section

Front Section



Plan section of leg below seat.



Object plane plans of Horseshoe back and corner brace